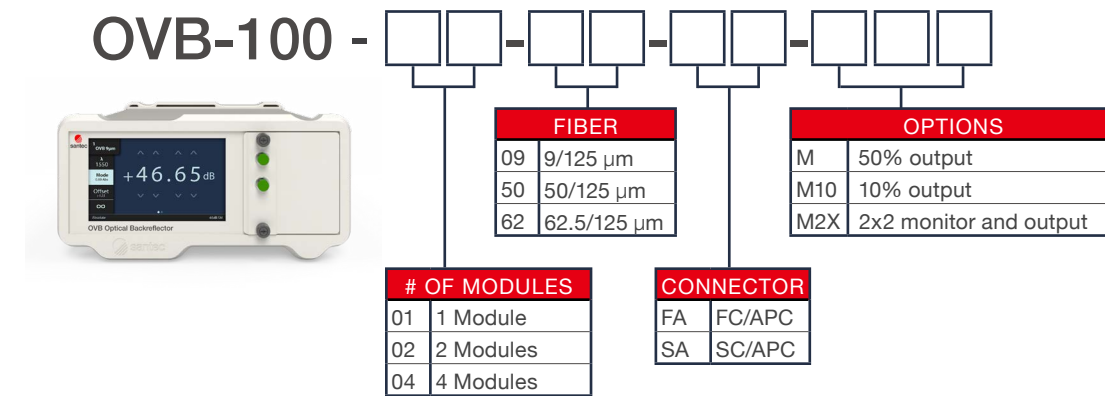


OVB-100

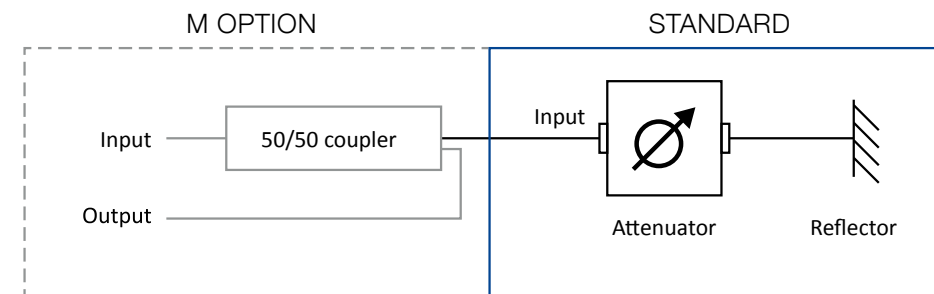
Optical Variable Backreflector

Ordering Scheme & Instructions

1. Configure OVB Optical Variable Backreflector



Configuration Options



**Custom monitor options available upon request*

Features

- ± 0.2 dB relative accuracy
- ± 0.02 dB repeatability
- 60 dB range
- Available in single-mode or multimode

Applications

- Transceiver testing
- QA testing
- Laser production

Compliance

- UL/CSA 61010
- IEC 61010
- FCC Part 15 (Class A)
- EN 61326 (Class A)

Product Overview

Santec's Optical Variable Backreflector, OVB-100, enables precise backreflection control and superior repeatability. It can be used as a benchtop or rackmount instrument.

The OVB-100 is ideal for lab and production applications including transceiver testing, QA testing, laser production and automated test systems.

The OVB-100 variable backreflector offers ± 0.02 dB repeatability and a range of 60 dB in single-mode and 35 dB in multimode. It can be controlled via the front panel touch screen, or remotely via USB and Ethernet.

OVB-100 operates from 1200-1700 nm for single-mode and 750-1700 nm for multimode. A 50/50 coupler can be added to bypass the variable backreflector for input signal monitoring.

OVB Optical / Electrical Specifications

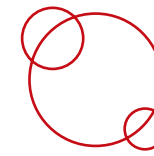
Parameter	Specification	
	Single-mode	Multimode
Fiber Type (um)	9/125	50/125 or 62.5/125
Wavelength Range (nm)	1200 to 1700	750 to 1700
Range (dB)	5 to 60	5 to 35
Range with Monitor Output (dB)	9.5 to 60	9.5 to 35
IL with Monitor Output (dB) ¹	< 4.0	
Resolution (dB)	0.01	
Relative Mode Accuracy (dB)	± 0.2	
Repeatability (dB)	± 0.02	
Maximum Input Power (dBm)	23	
Remote Interface	USB or Ethernet	
Display	5" touch screen	
Input Voltage	100 - 240 V AC, 50 - 60 Hz	
Power Consumption (VA)	60 maximum	

Notes:

¹ Excluding connectors

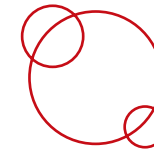
Mechanical / Environmental Specifications

Parameter	Specification
Unit Dimension W x H x D (cm)	23.5 x 12 x 32.5
Shipping Box Dimensions W x H x D (cm)	36.5 x 39 x 53
Unit Weight (kg)	8
Total Shipment Weight (kg)	9
Operating Temperature (°C)	0 to 55
Storage Temperature (°C)	-40 to 70
Humidity (Non-condensing)	Maximum 95% RH from 0 to 40°C



Superior Repeatability

±0.2 dB relative accuracy, ±0.02 dB repeatability



SM or MM available

Standard SM or MM models available



In the Box

OVB-100 - Optical Variable Backreflector

- OVB-100
- AC power cord
- USB-A to USB-B (1.5 m)
- Ethernet cable (1.5 m)



Santec Regional Sales Offices

Santec Japan Corporation

5823 Ohkusa-Nenjozaka, Komaki,
Aichi, 485-0802, Japan
Tel: +81-568-79-3536 | Fax: +81-568-79-1718

Santec Europe Ltd.

99 Park Drive, Milton Park, Abingdon,
Oxfordshire, OX14 4RY, UK
Tel: +44-20-3176-1550

Santec USA Corporation

400 Kelby Street, Suite 1501
Fort Lee NJ 07024 USA.
Toll Free: +1-800-726-8321

Santec (Shanghai) Corporation Limited

21F Room H, Hua Du Bldg., No.838 Zhangyang Road
Pudong District, Shanghai, 200122, China
Tel: +86-21-5836-1261 | Fax: +86-21-5836-1263

2022© SANTEC CORPORATION Santec reserves the right to make changes in equipment design, components or specifications without notice.

OVB-100-C-E/Ver.1.1 CODE-202303-MB-KT-CPY